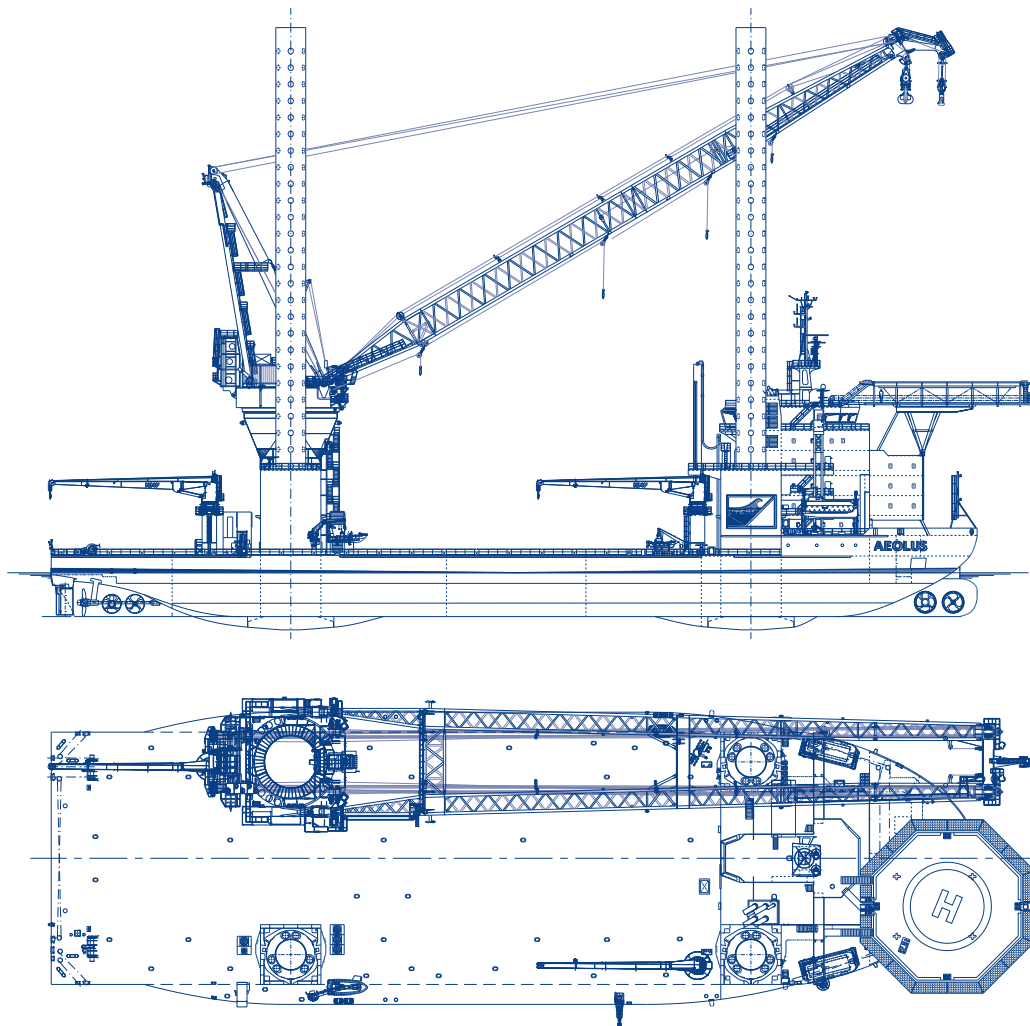




## Equipment

# Offshore installation vessel Aeolus





## Aeolus

Name	Aeolus	
Type	Offshore installation vessel	
Classification	DNVGL ✕ 1A1 Self-elevating Wind Turbine Installation Unit - Clean(Design) - Crane offshore DYNPOS(AUTR) - E0 - HELDK(S,H) - OPP F NAUT{OSV, OSV(A)} - TMON(oil lubricated)	
Trading area	Unrestricted	
Year of construction	2014	
Year of modification	2018	
Dimensions	Length overall	139.40 m
	Breadth overall	44.46 m
	Depth (to maindeck)	10.12 m
	Draught	8.60 m
Tonnage	19,848 GT - 5,955 NT	
Deadweight	11,990 tons	
Speed	10.5 knots	
Huisman offshore installation crane	Main hoist	1600 tons / 14.00 - 32.00 m
	Auxiliary hoist	100 tons / 16.00 - 109.00 m

Auxiliary cranes	2 x 20 tons / 24.00 m
Main engines	4 x 4,500 kW
Propulsion	10,000 kW
Bow thrusters	2 x 2,500 kW
Stern thrusters	2 x 2,500 kW
Total power installed	18,688 kW
Accommodation	99 persons
Jack-up system	4 legs - length 81.00 m - diameter 4.50 m
Clear deck area	3,775 m <sup>2</sup>
Dynamic Positioning System	DP Class 2

### Contact

**Van Oord**  
 PO Box 8574  
 3009 AN Rotterdam  
 The Netherlands  
**T** +31 88 8260000  
**F** +31 88 8265010  
**E** info@vanoord.com  
**I** www.vanoord.com

**Van Oord**  
**Offshore Wind**  
 PO Box 458  
 4200 AL Gorinchem  
 The Netherlands  
**T** +31 88 8265100  
**F** +31 88 8265110  
**E** area.ow@vanoord.com